

**BOSE INSTITUTE  
KOLKATA**

**STANDARD BIDDING DOCUMENTS**

**For OpenTender Notice No.  
BIW/Office/13/2013-14  
dated 26/03/2014**

**To be addressed to:**

**The Registrar,  
Bose Institute, Centenary Building,  
P-1/12, CIT Scheme – VII / M  
Kolkata – 700054 (INDIA)**

**BOSE INSTITUTE**  
**Centenary Building,**  
**P-1/12, CIT Scheme – VII /M, Kankurgachi,**  
**Kolkata – 700054 (INDIA)**

Director, Bose Institute, Kolkata, West Bengal, India invites sealed offers from the bonafide electrical contractors for the replacement of total LT power distribution system at Main Campus, Bose Institute.

**Job Schedule for Augmentation of LT Existing Network at Main Campus,**  
**Bose Institute, Rajabazar.**

<b><u>Sl.No.</u></b>	<b><u>Description of Work</u></b>	<b><u>Quantity</u></b>	<b><u>Approx Rate / Unit (Rs.)</u></b>	<b><u>Approx Amount (Rs.)</u></b>
1	Dismantling of Existing LT system comprising of 2 nos. main LT 800A Incomer OCB from 6 KV/415V, 400 KVA Transformers and 24nos. O/G feeders of different ratings i.e. 63A, 100A, 125A, 160A, 200A etc. located in two switch rooms.	1 Item		
2	Dismantling of Bus Bars of two switch rooms.	1 Item		
3	Dismantling of all LT cables between 400 KVA Transformers and Bus Bars, Bus Bar to all O/G SFU/MCCBs etc.	1 Item		
4	Dismantling of all earthing wires from earth Bus Bar.	1 Item		
5	Supply and fixing of MS Joint Box on wall with proper insulation and to be earthed properly through GI / Copper wire after installing earth Bus for the followings			
	63 A Cable Joint Box	4 nos		
	100 A Cable Joint Box	2 nos		
	125 A Cable Joint Box	1 no		
	160 A Cable Joint Box	1 no		
	200 A Cable Joint Box	2 nos		

	250 A Cable Joint Box	4 nos		
6	All Junction Boxes should be duly marked according to the feeders name so that all O/G cables of main switch room will go to adjacent room through Joint Box with necessary connection.	1 Item		
7	Supply, Delivery with Installation and Commissioning of LT PCC board in 2 steps, keeping 50 % load 'ON' from either any one transformer. The LT PCC board comprising of 2 Incomers, Bus coupler and 31 nos. O/G feeders including 5 nos. spare feeders of different rating as per single line diagram given at <b>Annexure 1</b> . Bill of materials indicate specification of ACBs, MCCBs etc. as per <b>Annexure -2</b> (Make - L&T / SIEMENS /Schneider/ABB/etc)	1 Item		
8	Supply and laying of 3½ Core XLPE 1.1 KV Gr. (Make: Gloster / Reputed) cable of different cross sections as follows:			
	A    6 sq.mm	100 mtrs		
	B    300 sq.mm	90 mtrs		
	C    185 sq.mm	102 mtrs		
	D    95 sq.mm	85 mtrs		
	E    70 sq.mm	17 mtrs		
	F    50 sq.mm	68 mtrs		
	G    35 sq.mm	50 mtrs		
H    400 sq.mm ( For Capacitor)	20 mtrs			
9	<b>Earthing System</b>			
	A    Digging of an earth pit about 10 ft from ground level and supplying & filling with	2 nos.		

	necessary charcoal, salt etc.			
B	Supply and fixing of copper earth plate of 300mm X 300mm x 3mm thick with single length of 60 feet of 25 mm x 5 mm copper strip rigidly bolted and soldered by perforated 50mm dia G.I. pipe at three places including supply and fixing of 50 mm dia G.I pipe and accessories.	2 nos.		
C	Supply & fixing of 25mmx5mm copper strip of length 60 ft. incl. cutting of channel on floor, making hole in wall and clamping on wall by proper clamping with G.I Bar saddles and to be joined with a copper earth bus-bar and mending good the damages as required.	2 nos.		
D	Providing masonry enclosure on the top of the earthing of overall size 86.36 cm x 86.36 cm x 46 cm deep below ground level complete with cemented brick work duly plastered incl. supply & fixing of C.I hinged inspection cover with locking arrangement.	2 nos.		
Grand Total				

**Tender Notice No.** : **BIW/Office/13/2013-14 dated 26/03/2014**

**Last date & Time for Submission** : **23/04/2014 upto 14:00 hours**

**Date/Time for opening of bids** : **23/04/2014 at 15:00 hours**

**Venue of Bid Opening** : **Centenary Building, Bose Institute,  
Seminar Room (Annexe Block),  
P-1/12, C.I.T. Scheme – VII / M,  
Kolkata – 700054**

**Submission of tender** : **Tender Box with the Import Cell  
At 1<sup>st</sup> floor in Annexe Block  
Centenary Building, Bose Institute  
P-1/12, C.I.T. Scheme – VII / M  
Kolkata 700 054**

**Serial no. and name of the instrument shall be mentioned on the envelop positively.**

If the date of opening happens to be a holiday, the bids shall be opened on next working day at the same time. Fax/email bids or Late/Delayed tenders shall not be considered.

**Director, Bose Institute reserves the right to accept or reject any or all tenders either in part or in full. The reasons for rejecting the tender of a prospective bidder will be disclosed only when enquiries are made.**

**REGISTRAR**

## **Terms and Conditions**

**1.The Bidders should visit the site i.e Main Campus of the Institute at 93/1, A.P.C Road Kolkata 700009 before submission of Quotation.**

**2.Cost of Bid Document:** Tender documents are available free of cost at Bose Institute website <http://www.boseinst.ernet.in> Interested and eligible bidders may download the same directly from the website. No tender document will be issued from the Institute.

**3.Bid Format:** Bids should be submitted in the format provided in the bid document within the prescribed deadline for submission of bids.

**4. Submission of Bids:** Bids should be submitted in **sealed covers in the tender box kept at Import Purchase Cell at 1<sup>st</sup> floor in Annexe Block, Centenary Building, Bose Institute, P-1/12, C.I.T. Scheme VII-M, Kolkata 700 054** mentioning the Tender Notice No. / Last Date for Submission of Tender/ Date of Opening of Tender/ Firm's Name & Address on the envelope.

**It is the sole responsibility of the bidder to ensure that its bids are submitted at the above address.**

**5. Late Bids:** Any bid received after the deadline for submission of bids prescribed by the Institute will be rejected. Similarly bids received by Telex, Cable, Fax or e-mail will also be rejected.

### **6. Bid Security or Earnest money deposit (EMD)**

6.1 The tender should be accompanied by Earnest Money deposit of Rs. 50,000.00 in the form of Demand Drafts (DD) drawn on any nationalized / Schedule bank in favour of Bose Institute Kolkata and payable at Kolkata.

**6.2 Earnest Money in any other form, for example cheque. Bank Guarantee, Bid Bonds/ Call Deposits etc. will not be acceptable to BOSE INSTITUTE**

6.3 You will have to deposit performance security of 10% of the order value for the said job in the form of Demand Draft/ Bank Gurantee from any Nationalized Bank payable in Kolkata in favour of Bose Institute, Kolkata before starting the job.

6.4 No interest is payable by BOSE INSTITUTE on the Security Deposit. The Security Deposit(s) is/are refundable to the bidder only on fulfillment of all

contractual obligations and with full satisfaction of the BOSE INSTITUTE, and any amount due shall be deducted from this sum, and balance refunded.

7. The validity of the tender will be 90 (ninety) days from the last date of submission.
8. The Bidder should have experience of executing similar type of jobs and necessary documents in this regard should be submitted along with the bid documents
9. The bidder may give additional commercial terms, if any, in a separate sheet.
10. If any dispute arises then it will be subjected to Kolkata jurisdiction.
11. **Director, Bose Institute reserves the right to accept or reject any or all tenders either in part or in full. The reasons for rejecting the tender of a prospective bidder will be disclosed only when enquiries are made.**
12. **The price quoted should be inclusive of all statutory taxes and duties. No other charges except those mentioned clearly with the quotation will be paid.**
13. The successful bidder shall furnish Security deposit for an amount of 10% of the work order value valid upto 60 days after the date of completion of performance obligation including warranty obligation.
14. The successful bidder has to ensure that the execution of the job is to be carried out following the statutory norms, standard safety procedures etc. Bose Institute will not be responsible for any mishap/accident if occurs during execution of the job.
15. If the date of opening happens to be a holiday, the bids shall be opened on next working day at the same time.
16. **Amendment to Bid Document:** At any time prior to the deadline for submission of bids, the Authority may, for any reason, modify the Bid Document by amendment. All prospective bidders are required to keep a watch on the Bose Institute website <http://www.boseinst.ernet.in> about any amendment to the tender document. The Institute reserves the right to reject the bids if the bids are submitted without taking into account these amendments/clarifications. In order to allow prospective bidders reasonable time in which to take the amendment into account in preparing their bids, the Purchaser, at its discretion, may extend the deadline for the submission of bids.
17. **Bid Prices:** Bidders are requested to give their final and best offer. Prices charged by the Supplier for Goods delivered and Services performed under the Contract shall not vary from the prices quoted by the Supplier in its bid. Conditional offers indicating changes to price quoted due to price increase/decrease by the principal firm, market fluctuations, foreign exchange fluctuations etc shall render the bid liable to be cancelled.

**18. Payment:** Payments shall be made after receipt of the invoice accompanied by challan certified by the Institute's gate of delivery of goods, and successful installation & commissioning of the job.

19. The successful bidder shall bear in mind that he will have to carry out the works without any damage of the property of BI. Working areas are to be kept clean and no inconvenience/nuisance in the workplace is desired.



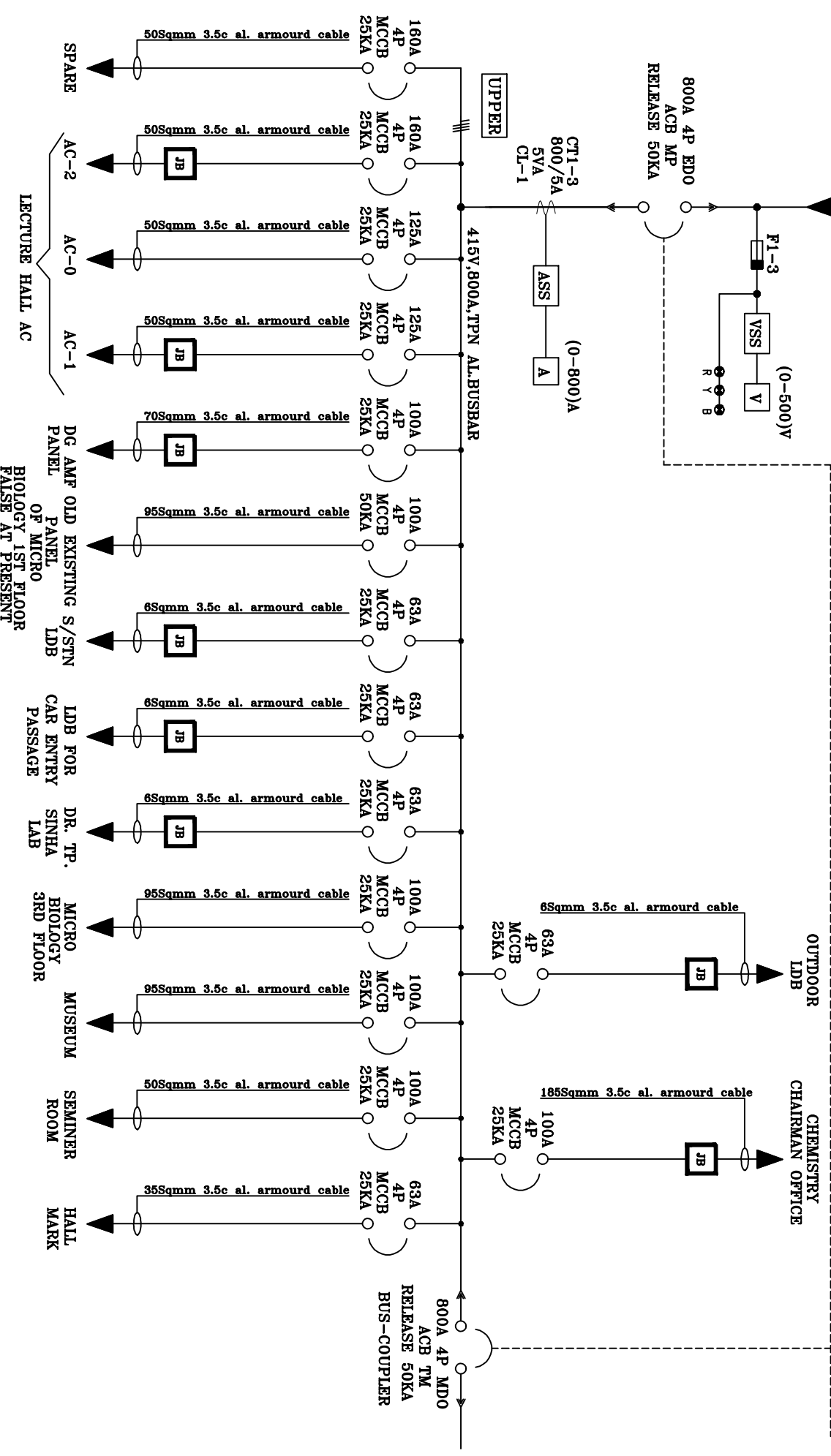
<b>ANNEXURE-1</b>			
<b>A. MAIN CONTROL PANEL</b>			
	<b>INCOMER</b>	<b>QTY</b>	<b>UNIT</b>
1	800A 4P EDO MP ACB 50KA	2	NOS
2	PHASE INDICATION LAMP (R-Y)	4	NOS
3	PHASE INDICATION LAMP (B)	2	NOS
4	CONTROL FUSE BASE WITH 2A HRC LINK	6	NOS
5	ANALOG AMMETER (0-800)A	2	NOS
6	AMMETER SELECTOR SWITCH	2	NOS
7	CT. 800/5A CL.1 VA-15,	6	NOS
8	ANALOG VOLTMETER (0-500)V	2	NOS
9	VOLTMETER SELECTOR SWITCH	2	NOS
<b>B. BUSCOUPLER</b>			
10	800A 4P MDO TM ACB 50KA	1	NO
<b>C. OUTGOING</b>			
11	63A 4P MCCB TM 25KA with HANDLE and SPREADER TERMINALS	6	NOS
12	630A 4P MCCB TM 36KA with HANDLE and SPREADER TERMINALS	1	NO
13	400A FP TM MCCB 36KA with HANDLE and SPREADER TERMINALS	1	NO
14	100A 4P MCCB TM 25KA with HANDLE and SPREADER TERMINALS	9	NOS
15	250A 4P MCCB TM 36KA with HANDLE and SPREADER TERMINALS	3	NOS
16	200A 4P MCCB TM 36KA with HANDLE and SPREADER TERMINALS	7	NOS
17	160A 4P MCCB TM 36KA with HANDLE and SPREADER TERMINALS	2	NOS
18	125A 4P MCCB TM 36KA with HANDLE and SPREADER TERMINALS	2	NOS
<b>D) CABLE TERMINATION BOX</b>			
	<b>INCOMER</b>	<b>QTY</b>	<b>UNIT</b>
1	63A CABLE TERMINATION BOX	4	NOS
2	100A CABLE TERMINATION BOX	2	NOS
3	125A CABLE TERMINATION BOX	1	NO
4	160A CABLE TERMINATION BOX	1	NO
5	250A CABLE TERMINATION BOX	2	NOS
6	200A CABLE TERMINATION BOX	4	NOS

ANNEXURE-2

INCOMER  
TRAFO.-1

INTERLOCKING ARRANGEMENT

(TO PAGE NO-2 OF 2)



PRODUCED BY AN AUTODESK EDUCATIONAL PRODUCT

PRODUCED BY AN AUTODESK EDUCATIONAL PRODUCT

SHEET: 1 OF 2		TOTAL SHEET : 2	
SCALE: NTS	REV-0 DATE:	REV-1 DATE:	REV-2 DATE:
	REV-2 DATE:	REV-3 DATE:	
TITLE: SLD OF MAIN DISTRIBUTION PANEL, RAJBAZAR MAIN CAMPUS			

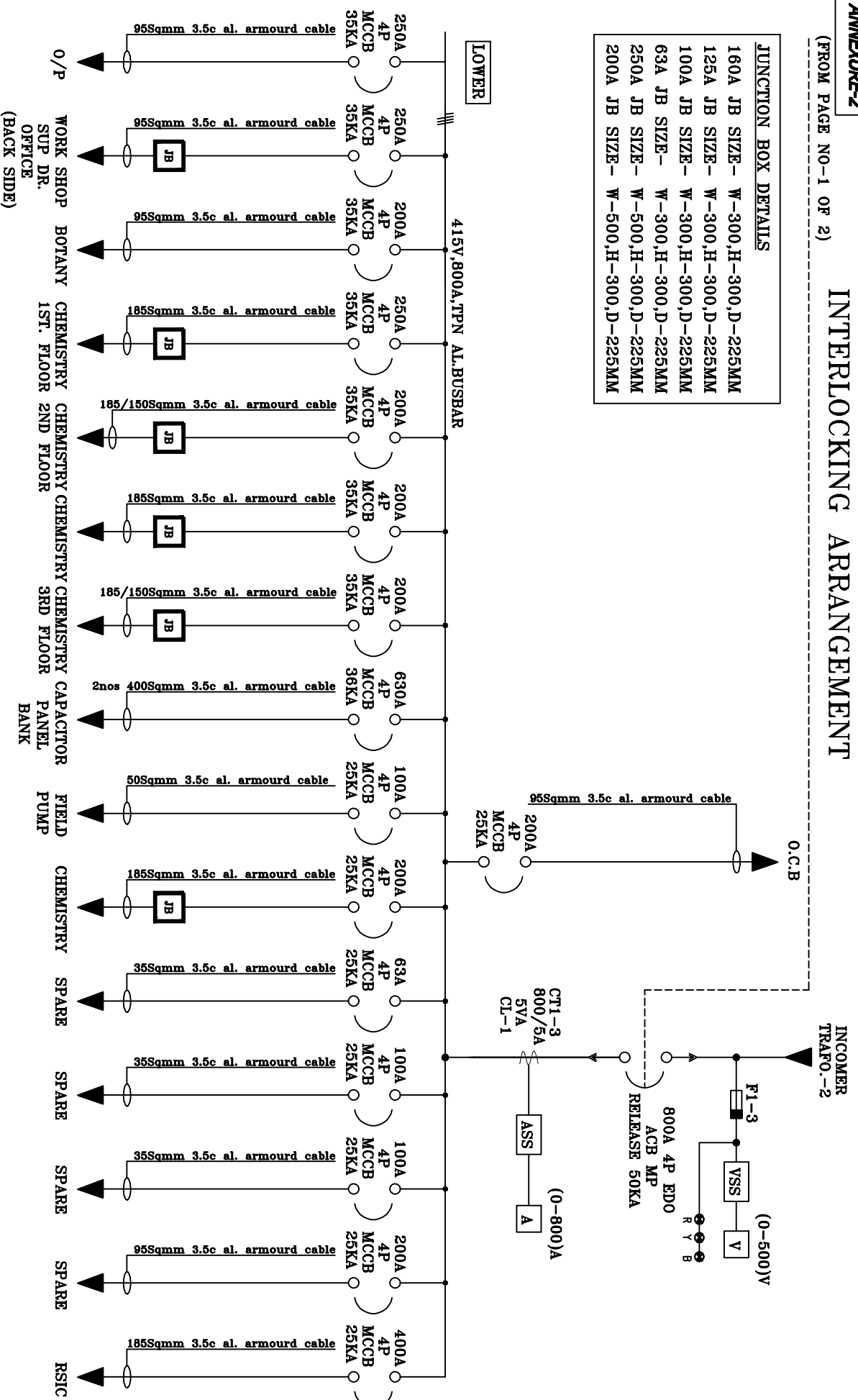
ANNEXURE-2

(FROM PAGE NO-1 OF 2)

INTERLOCKING ARRANGEMENT

JUNCTION BOX DETAILS

160A JB SIZE-	W-300,H-300,D-225MM
125A JB SIZE-	W-300,H-300,D-225MM
100A JB SIZE-	W-300,H-300,D-225MM
63A JB SIZE-	W-300,H-300,D-225MM
250A JB SIZE-	W-500,H-300,D-225MM
200A JB SIZE-	W-500,H-300,D-225MM



PRODUCED BY AN AUTODESK EDUCATIONAL PRODUCT

PRODUCED BY AN AUTODESK EDUCATIONAL PRODUCT

TITLE: STD OF MAIN DISTRIBUTION PANEL,  
RAJBAZAR MAIN CAMPUS

SHEET : 2 OF 2	TOTAL SHEET : 2
SCALE: NTS	REV-0 DATE:
	REV-1 DATE:
	REV-2 DATE:
	REV-3 DATE:

PRODUCED BY AN AUTODESK EDUCATIONAL PRODUCT